

Rocklin Academy Wednesday Weekly

Robin Stout, Principal
Phil Spears, Executive Director/Superintendent



<http://turnstone.rocklinacademy.com>

Wednesday, May 8, 2013

	DATE	
Thursday	9	<ul style="list-style-type: none"> STAR Testing - Grade 2 Cyber-Bullying & Internet Safety Presentation, 6:30pm, WSCA
Friday	10	First Grade Field Trip to the Sacramento Zoo
Saturday	11/12	😊 Have a Wonderful Weekend! 😊
Monday	6	
Tuesday	7	
Wednesday	8	Exceptional Eagles Assembly, 8:15am, Multi-Purpose Room



UPDATE: WENDY BOYD "BEYOND THE CALL" AWARD

On behalf of the Rocklin Academy Board of directors, I am pleased to announce the following nominees for this year's Wendy Boyd "Beyond the Call" Award:

Linda Anderson, Shannon Boisvert, Kathryn Boyce, Kim Dvorak, Lisa Haddad, Jennifer Parisius, Elvie Van Kempen and Gina Wheeler.



Nominees have been invited to the May 20, 2013 Board meeting where they will be recognized. Wendy Boyd will announce and present the award to this year's winner.

Congratulations to all of this year's nominees and thank you for your outstanding volunteer service to the Rocklin Academy Family of Schools.

Sincerely,

Dr. Melissa Downey Garrido, Ed.D
Board Vice-Chair, Rocklin Academy



PARENT EDUCATION NIGHT FOR CYBER-BULLYING AND INTERNET SAFETY:

Thursday, May 9th, at 6:30 pm, Officer Mark Fain, a School Resource Officer and WSCA parent, will be offering a very informative presentation on Cyber-Bullying and Internet Safety. This session is designed to educate parents on how to keep their kids safe on-line. Officer Fain brings his experience and expertise to give us tools and information that are practical and current to today's technology avenues. This presentation will be held at Western Sierra Collegiate Academy and is open to all parents of the Rocklin Academy Family of Schools. Please make plans to attend this great awareness event.



VOLUNTEER APPRECIATION "THANK YOU" ASSEMBLY

We would like to invite all of our wonderful volunteers who have donated 30 or more hours to an assembly in their honor on May 31st at 2:30pm. We want to recognize these valued individuals and show our appreciation at this special event. We hope you can make it! Thank you!

DEADLINE TO ENTER VOLUNTEER HOURS

The deadline to enter volunteer hours into the online volunteer tracker is Monday, May 20th. Please include any hours you expect to volunteer after this date (through the end of the year) as well. Please follow this link to find out how to sign up for the online volunteer tracker: [Volunteer Tracker](#).



SHORT WAITING LIST FOR 6TH GRADE - FALL OF 2013

We currently have a very short waiting list for 6th grade for Fall of 2013 at Rocklin Academy Turnstone and Meyers. If you know of anyone wanting to come to Rocklin Academy for 6th grade, please ask them to complete an application. All applicants will be placed on the waiting list based on the date and time the application is received. For questions, please contact Donna Walsh at (916) 778-4544, x-703. Thank you!

OPEN HOUSE CORE KNOWLEDGE NIGHT, MAY 23RD

Core Knowledge Showcase Night (Open House) is May 23rd at 6:00pm. This event will feature the music and art of the rich Core Knowledge curriculum. Please see the program guide at the end of this newsletter.



ROCKLIN ACADEMY ACCEPTS HONOR ROLL TITLE FOR EIGHTH YEAR



For the eighth year in a row, California Business for Education Excellence (CBEE) Foundation has named Rocklin Academy charter public school an Honor Roll School. Rocklin Academy is one of about 100 "Scholar" schools honored statewide receiving this honor for the eighth consecutive year. CBEE Honor Roll recognizes schools that have made significant progress towards 100 percent proficiency on the California Standards Test. The 2012 Honor Roll includes public elementary, middle, and high schools recognized for demonstrating consistently high levels of student academic achievement, improvement in achievement over time, and reduction in achievement gaps.



EXCEPTIONAL EAGLES AWARD

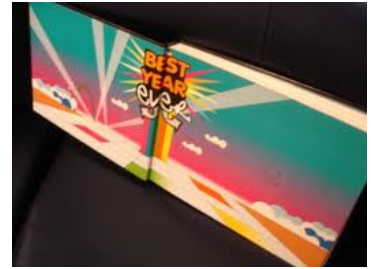
There are no Exceptional Eagles awards this week due to STAR testing.

BUY A YEARBOOK BEFORE THEY RUN OUT!

We only have a limited number of yearbooks left!

Capture this year's memories by purchasing a 2012-13 Rocklin Academy Turnstone yearbook. Not only will you see everyone's smiling faces, but also original artwork submitted by our students. All for only \$26 each!

Buy one before we run out! Complete the order form (available in the office), include your check and drop it off at the school office. Please contact Flora Deter (yearbook@deter.com) if you have any questions.



CANCELLED!!

FIELD TRIP INFORMATION NIGHT - CANCELLED

The Field Trip Information Night for incoming 5th and 6th grade parents scheduled for Monday, May 13, has been canceled. Families will receive information about their grade level's field trips from their teachers.

DRESS CODE REMINDERS

With the weather getting warmer, students are wearing skirts, tank tops and shorts. *Per the Parent/Student Handbook, pages 18-19*, please remember that clothes must be sufficient to cover undergarments. Halter tops, spaghetti strap tops, off-the-shoulder or low-cut tops, torn-off sleeves, bare-midriiffs, and skirts and shorts shorter than mid-thigh are prohibited. Sleeveless blouses may be worn. **The office will call home for a change of clothes if a student's outfit does not meet the dress code.** Thank you!



2013-2014 SCHOOL YEAR CALENDAR

The approved school calendar for the 2013-2014 school year is included at the end of the newsletter. Please remember to schedule vacations around our calendared breaks. Thank you!



PSP NEWS AND EVENTS

We love our teachers, and so do our local business partners. We received over \$1100 in donations for Teacher Appreciation week!!! With all the Generous donations, we were able to give our teachers "daily treats" and a few of the days ALL of our staff!!

The following businesses helped make this week special for our teachers:

Starbucks Lincoln Old 65 location (across from CVS)
Starbucks Stanford Ranch, Sunset and Lone Tree Locations



Stieber's Sweet Shop
Skipolini's
Lowe's (Roseville)
Home Depot (Lincoln)
Safeway (Lincoln & Rocklin)
Nothing Bundt Cakes
Panera Bread
Mimi's (Roseville & Lincoln)
Trader Joes
Target
Nugget
Peet's Coffee (by Nugget)
Kona Coffee
Bed Bath and Beyond

Please save the dates for our PSP meetings--we want YOU to be a part of our Parent School Partnership meetings:

2012-2013 PSP meeting schedule:

- 5/8/2013 7pm - TONIGHT!
- 6/5/2013 3:15pm



All Around the World Fall 2013 Jog-A-Thon

We urgently need two fundraiser volunteers for the Jog-A-Thon! We are currently looking for volunteers to help with next years' Jog-a-Thon. Last year we raised \$33,000! Way to go students, parents and teachers! With all our hard work we were able to do a \$15,000 technology upgrade. This year our goal is to raise \$40,000 and buy iPads for each of the classrooms. Without parent support we are unable to make this and other exciting events for the students a reality. Let's make it a great day, so that we can have a GREAT year! If you are interested in volunteering, please contact Jenny Dalberg at jenny@sendithere.com.



Rocklin Academy Family Dinner Night

Would you like a night off in the kitchen? We have a solution to your Wednesday cooking blues! Please welcome the introduction of Rocklin Academy Family Dinner Night! On the last Wednesday of every month between January & May we hope your family will join other RA families, teachers and staff for a monthly fundraising dinner for our school at one of our sponsoring restaurants. All you need to do is go to the designated restaurant on the corresponding evening, show them the flier (or we won't get credit for your bill) for the event that will come home in the Wednesday Weekly, eat as usual and the restaurants will donate a percentage of your final bill to our school. Below is the established schedule, so please be sure to save the dates:

- May 29th - Dave and Busters (In the Fountains)

We are pre-selling the power game cards for this family night. 50% of the power card profits will go directly back to the school, plus you won't need to pay the \$2.00 activation fee at the restaurant! Order forms for the power cards will come home in the Wednesday Family folders today and please see the flyer at the end of this newsletter.

Feel free to invite as many friends and family members as possible—anyone can pre-purchase power cards! Anyone can participate in our fundraiser dinners. Go Eagles!



"LIKE" THE ROCKLIN ACADEMY TURNSTONE PSP FACEBOOK PAGE!

Ever find yourself lost in all of the things that go on in Rocklin Academy and our family of schools? There's just so much fun happening all the time and we know it's hard to keep up. Well fret no more and always keep track on Facebook. LIKE the Rocklin Academy Turnstone PSP page and get updates about everything from fundraisers to fun recipes for you and your little guys.

Fireworks Fundraiser



RA Turnstone Fireworks Fundraiser has begun!!!

Please help support our 6th Grade Field Trip fund!

The 6th Grade Field Trip Fund will earn **\$10** for every **\$20** scrip ticket purchased! **The \$20 scrip tickets will be redeemable only at the WSCA Fireworks Booth** which will be located at the corner of Blue Oaks and Lonetree (by **icing on the Cupcake**).



An order form will be coming home in each family's Wednesday Family Folder and also attached at the end of the this newsletter. Extra order forms also available in the school office. Please make checks payable to **RA PSP** and fundraiser ends on Tuesday, April 30th.

Make sure to share with your family and friends!



Hi Eagle Box Top Collectors! As of today, we have made **\$1,207.97** for this school year. We are in 76th place for our region. The top school in our area is Blue Oaks Elementary in Roseville which raised \$3,3467.22. In the state we are ranked #992 and for the nation we came in 19,014. The top school was Youth Benefit Elementary school in Fallston, Maryland and they raised a whopping total of \$30,478.73 for their school this year. We plan to send in a final Box Top drop on June 1st so **please send in your submissions by the 27th of May.** If you're interested in learning more about signing up for e-box tops by shopping at certain supermarkets and on-line, please contact our Box Top coordinator, Lois Byrd at 916-801-4865 or whatalargemess@live.com and she can help you learn how to add value for our school to your every-day shopping trips.

Recycling Laser Cartridges and Cell Phones

Don't forget to continue dropping off those laser cartridges and cell phones to help RA Turnstone earn recycling monies. We earn the most monies from the larger laser cartridges but all items are welcome!

Do You Shop At Target? If you shop at Target, consider applying for a Target credit or debit card. You will receive 5% off every purchase immediately, free shipping if you shop online and 1% of every purchase is donated to your school. **Choose Rocklin Academy Turnstone as your school choice for rewards.** It's that easy!



PRETEND PLAY FOOD NEEDED

If you are cleaning out your child's toy box and have any pretend food (fruit, vegetables, other) that your kids are no longer playing with and would like to donate it, Mrs. Donovan, our intervention teacher, would love to use it with students to teach phonics. Just bring it into the office. Thank you!

LASER PRINTER NEEDED

The Administration Office is in need of a laser printer for the desk of one of its staff members (an actual laser printer - not a desk jet). If anybody has one that is in good working order, but you no longer need or could do without, it would be greatly appreciated. Please contact Brigid Perakis, Business/Personnel Manager, if you can help with this at: bperakis@rocklinacademy.org Thank you very much!



SPIRIT WEAR FRIDAY!

This Friday is wear Rocklin Academy Spirit Wear or anything green.



FREE KIDS BOWLING THIS SUMMER!

The Kids Bowl Free Summer Bowling Program is available in our community and we thought that your family might enjoy this great deal. **Each child receives 2 FREE Games of Bowling Every Day All Summer!**

Here's How You Can Register Your Children/Family:

1. Go to www.KidsBowlFree.com
2. Click on the State and then select the bowling center that you'd like to participate at (i.e. Strikes Unlimited)

3. Register your children to receive Free Bowling all summer long
4. Sign up the adults and/or older children for the optional Family Pass which allows up to 4 adult family members including parents, grandparents, older siblings or an adult babysitter to join in the bowling fun.



STUDENT INFORMATION SURVEY

As the end of the school year approaches, many students and parents start looking to the next school year. Teachers start planning for the next year, as well. After a year of teaching their students, teachers end up with lots of important knowledge about each child in their care that year, including academic strengths, challenges, and social dynamics. In addition, teachers know their colleagues well, and are able to match students with teachers in a way that best fits the needs of each student and the class. Much care is put into the placement of students into classes for the next grade level, by individual teachers, grade level teams, and administration. Teachers gather information about their new students at the beginning of the school year. However, if you would like to provide further information about your student to inform the process, please complete a Student Information Survey (at the end of this newsletter) before May 17th.



ROCKLIN ACADEMY'S

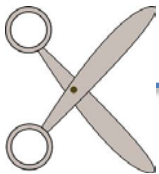
FAMILY DINNER NIGHT AT

DAVE AND BUSTER'S

MAY 29TH

Look in your child's Wednesday Family Folder today—we are be pre-selling the power game cards for this family night. 50% of the pre-purchased power cards will go directly back to the school, plus you won't need to pay the \$2.00 activation fee at the restaurant. Friends and family members can pre-order power game cards, too! Pre-ordered power cards will come home in your child's Wednesday folder on Wednesday, May 29th. (Make checks payable to "Dave & Buster's".)

Dave & Buster's is a family friendly restaurant and entertainment facility (in the Fountains) which includes great food, arcade games and billiard tables. PowerCards are the cards that activate all the games and simulators (not food) at Dave & Buster's.



POWER CARD PRE-SALE ORDER FORM

DUE ON OR BEFORE MAY 24TH, 2013

***PLEASE MAKE CHECKS PAYABLE TO "DAVE & BUSTER'S" ***

STUDENT NAME	TEACHER	PHONE #	\$10	\$20	TOTAL DUE

STUDENT INFORMATION SURVEY

Each year a student information survey will be requested for *each* student. The information survey will provide the administration and teachers with critical information designed to assist in the class process such as the child's attributes (e.g., student strengths, weaknesses, personality type, learning style.) Student placement is made via a non-biased process using the following criteria: 1) equal number of gender, 2) special academic/behavioral needs, 3) academic ability, and 4) the student information survey. **BY FILLING OUT THIS FORM DOES NOT GUARANTEE PREFERRED PLACEMENT OF ANY CHILD WITH A PARTICULAR TEACHER.**

Family Name _____

Student Name _____

Grade entering into next year _____

Current Teacher _____

Describe your child's strengths _____

Weaknesses: _____

Personality: _____

Style of learning: _____

Specify any special needs/concerns.: _____

Parent's Signature



Fireworks Fundraiser

Help Support the 6th Grade Field Trip Fund
In conjunction with Western Sierra Collegiate Academy

****** SHARE WITH FAMILY & FRIENDS ******

Each scrip ticket is valued at \$20
to redeem for merchandise at the WSCA Fireworks Booth!

The 6th Grade Field Trip Fund will earn \$10 for each \$20
scrip ticket sold!

Scrip ticket can only be redeemed at the
WSCA Fireworks Booth which will be
located at Blue Oaks/Lone Tree
(by Icing on the Cupcake)

Scrip Tickets Qty _____ x \$20.00 = \$ _____

Make checks payable to RAPSP and return this form to the office no later
than Tuesday, April 30th

Oldest Child's Last Name: _____ Grade: _____





Rocklin Academy 2013-2014 Student Calendar

August						
Su	M	Tu	W	Th	F	Sa
				1	2	3
4	5	6	7	8	9	10
11	12	13	14	15	16	17
18	19	20	21	22	23	24
25	26	27	28	29	30	31

- 19 Meet the Teacher 2:00-3:00
- 20 First Day of School -Minimum Day
- 21 Back to School Night- Minimum Day
- 26 Collaborative Inquiry - Minimum Day

February						
Su	M	Tu	W	Th	F	Sa
						1
2	3	4	5	6	7	8
9	10	11	12	13	14	15
16	17	18	19	20	21	22
23	24	25	26	27	28	

- 10 Collaborative Inquiry - Minimum Day
- 14 No School: Presidents Day
- 17 No School: Presidents Day
- 24 Collaborative Inquiry - Minimum Day
- 28 End of 2nd Trimester

September						
Su	M	Tu	W	Th	F	Sa
1	2	3	4	5	6	7
8	9	10	11	12	13	14
15	16	17	18	19	20	21
22	23	24	25	26	27	28
29	30					

- 2 No School: Labor Day
- 9 Collaborative Inquiry - Minimum Day
- 23 Collaborative Inquiry - Minimum Day

March						
Su	M	Tu	W	Th	F	Sa
						1
2	3	4	5	6	7	8
9	10	11	12	13	14	15
16	17	18	19	20	21	22
23	24	25	26	27	28	29
30	31					

- 3 Conference Prep - Minimum Day
- 10-14 Conference Week - Minimum Days
- 17 Collaborative Inquiry - Minimum Day

October						
Su	M	Tu	W	Th	F	Sa
		1	2	3	4	5
6	7	8	9	10	11	12
13	14	15	16	17	18	19
20	21	22	23	24	25	26
27	28	29	30	31		

- 14 No School: Professional Development
- 21 Collaborative Inquiry - Minimum Day

April						
Su	M	Tu	W	Th	F	Sa
		1	2	3	4	5
6	7	8	9	10	11	12
13	14	15	16	17	18	19
20	21	22	23	24	25	26
27	28	29	30			

- 7 Collaborative Inquiry - Minimum Day
- 14-18 No School - Spring Break
- 21 No School-Professional Development
- 28 Collaborative Inquiry - Minimum Day

November						
Su	M	Tu	W	Th	F	Sa
					1	2
3	4	5	6	7	8	9
10	11	12	13	14	15	16
17	18	19	20	21	22	23
24	25	26	27	28	29	30

- 4 Conference Prep - Minimum Day
- 8 End of 1st Trimester
- 11 No School: Veterans Day
- 18-22 Conference Week - Minimum Days
- 25-29 Thanksgiving Break

May						
Su	M	Tu	W	Th	F	Sa
					1	2
3	4	5	6	7	8	9
10	11	12	13	14	15	16
17	18	19	20	21	22	23
24	25	26	27	28	29	30
31						

- 12 Collaborative Inquiry - Minimum Day
- 26 No School: Memorial Day
- 19 Conference Prep - Minimum Day
- 22 Core Knowledge Showcase - Min. Day

December						
Su	M	Tu	W	Th	F	Sa
1	2	3	4	5	6	7
8	9	10	11	12	13	14
15	16	17	18	19	20	21
22	23	24	25	26	27	28
29	30	31				

- 2 Collaborative Inquiry - Minimum Day
- 23-31 No School: Winter Break

June						
Su	M	Tu	W	Th	F	Sa
1	2	3	4	5	6	7
8	9	10	11	12	13	14
15	16	17	18	19	20	21
22	23	24	25	26	27	28
29	30					

- 5 End of 3rd Trimester
- 5 Minimum Day: Last Day of School

January						
Su	M	Tu	W	Th	F	Sa
			1	2	3	4
5	6	7	8	9	10	11
12	13	14	15	16	17	18
19	20	21	22	23	24	25
26	27	28	29	30	31	

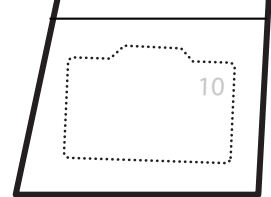
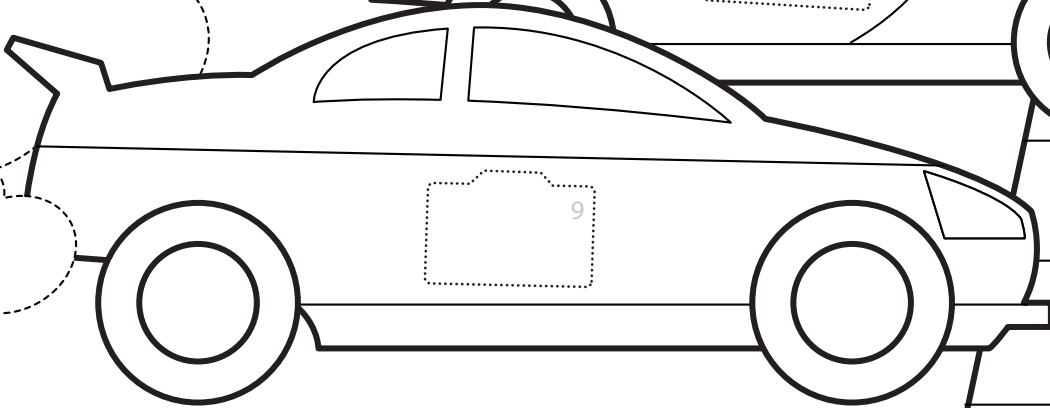
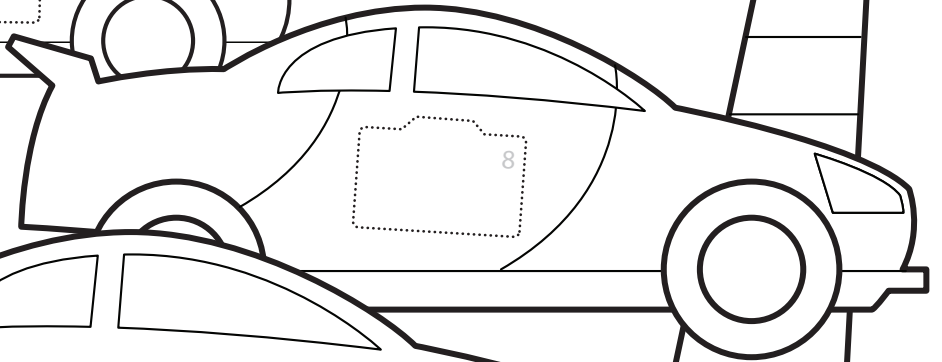
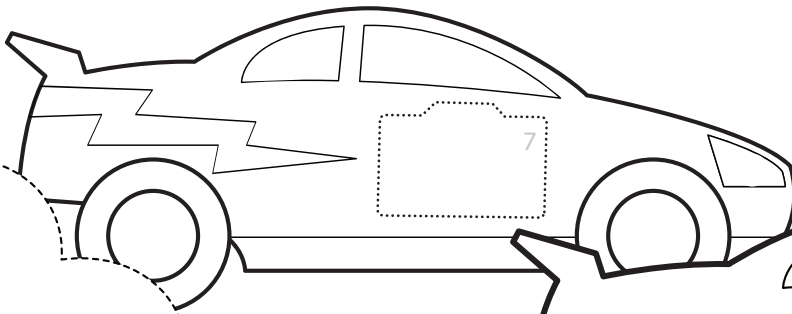
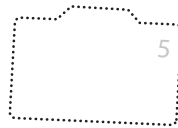
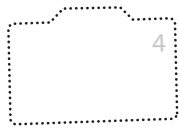
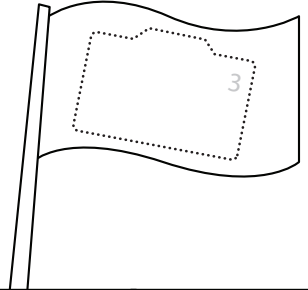
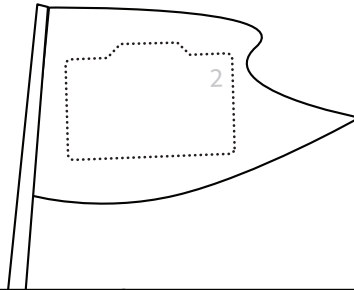
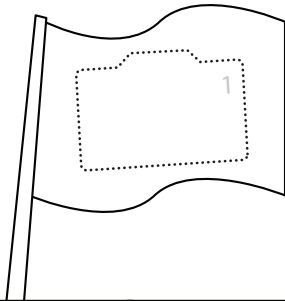
- 1-3 No School: Winter Break
- 6 Collaborative Inquiry - Minimum Day
- 20 No School: Martin Luther King Day
- 27 Collaborative Inquiry - Minimum Day

Total School Days: 180

Attention Kindergarten Parents: The kindergarten schedule may be altered on minimum days. Please check with your child's teacher.



It's a race! Fill this sheet with Box Tops and be the first to cross the finish line.



FINISH

Name _____

Grade _____

Teacher's Name _____

Thank you for helping! Every Box Top you collect is worth 10¢ for your school.
For more collection worksheets and projects, go to www.boxtops4education.com/activitycenter



Hands-on Science Fun

Qualified Educators

Real World Challenges

Sunset Ranch Elementary School

For children entering grades 1 through 6

Cost: \$255 **Online Cost: \$250**

2500 Bridlewood Drive
Rocklin, CA 95765

Program Dates: 6/10/2013 - 6/14/2013

Program Length: 5 Days

Program Times: 9:00 AM - 3:30 PM

This Summer Let Your Child's Imagination Soar with our Geo-Quest Program.

Click a module to expand its summary:

[Ecoverse™](#)

[Cache Dash™](#)

[I Can Invent: Launchitude™](#)

[Amazing Atlas Games](#)

Register

New Attendee

If you are a first time program attendee, register using the New Attendee link below.

Now through May 30, 2013, enter the offer code SPRING to save \$15 on your child's weeklong adventure!

**Promotional discounts may be available and will be applied at time of payment upon completion of your registration.*

[New Attendee](#)

Alumni

If you are returning to the program after having attended in prior years, please register using the Alumni link.

Now through May 30, 2013, enter the offer code SPRING to save \$15 on your child's weeklong adventure!

**Promotional discounts may be available and will be applied at the time of payment upon completion of your registration.*

[Alumni](#)

Staff/Sponsor

If you are a Director, Instructor, Host District Employee, Sponsor Employee, Volunteer or Camp Parent, register using the Staff/Sponsor link below.

**You must use the appropriate promotional code when registering.*

[Staff/Sponsor](#)



invent now®

[Privacy Policy](#)

For assistance using our registration application or for any other questions please contact our Customer Service Dep at 1-800-968-4332.